



EASTERN

Foundry & Fittings

"Manufacturing Excellence."

WATER HAMMER w/ VALVE

WHV Series

Job Name	
Engineer	
Contractor	
PO Number	
Distributor	

Features

- Approved for installation with no access panels
- Dual EPDM O-Rings
- Maintenance Free
- To be installed on cold or hot water lines
- Install within 6 feet of shock point
- Constructed from Lead Free Brass

Standard Materials List

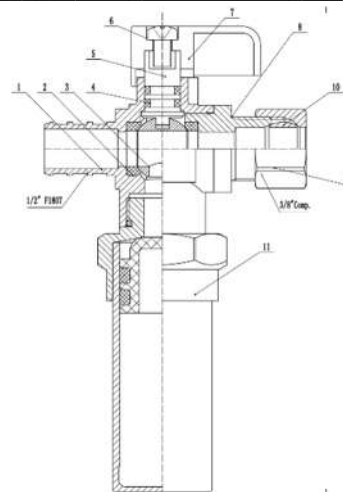
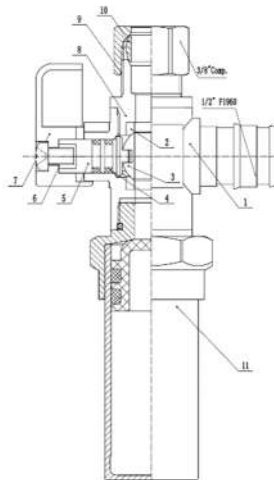
Part	Material
Body	Brass C46500
Washer	PTFE
Ball	Brass C46500
O-Ring	NBR/EPDM
Stem	Brass C46500
Screw	Steel
Handle	Zinc Alloy/ABS
Cap	Brass C46500
Arrestor Body	Brass C46500
Piston	Brass C46500
O-Rings	EPDM

Temperature & Pressure Limits

- Max Working Pressure – 250psi
- Max Working Temperature – 33F to 200F

Approvals

- Certified to ASSE 1010



Part #	Description
WHV121-09-LF	1/2" PEX x 3/8" OD Comp w/ Hammer Arrestor Mini BV Straight
WHV122-09-LF	1/2" PEX x 3/8" OD Comp w/ Hammer Arrestor Mini BV Angled
WHV221-09-LF	1/2" F1960 x 3/8" OD Comp w/ Hammer Arrestor Mini BV Straight
WHV222-09-LF	1/2" F1960 x 3/8" OD Comp w/ Hammer Arrestor Mini BV Angled