

LEAD FREE PEX ANGLE BALL VALVE

Series: EFFPND Rev 11/29/2018

Job Name	
Engineer	
Contractor	
PO Number	
Distributor	

Features

- 2 piece forged brass construction
- Dual PTFE Seats & EPDM O-Rings
- Blow-out proof Triple Seal Stem
- Rust resistant handle
- 5 Year Warranty
- Resists Stress Corrosion & De-Zincification

Performance Rating

- 400 W.O.G.

Approvals

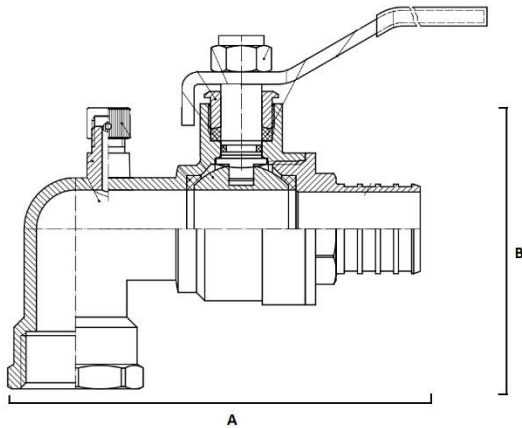
- NSF/ANSI 61 & 372 Certified
- CSA Approved ASME A112.4.14/CSA B125.14
- ASTM F1807

Models

- EFFPND – PEX (F1807) x NPT

Standard Materials

Part	Material
Body	Brass C46400
Sealing Washer	PTFE
Ball (1/2")	Chrome Plated Brass
Ball (3/4" and up)	Stainless Steel
O-Ring	NBR/EPDM
Packing Nut	Brass C46400
Stem	Brass C46400
Locking Nut	Steel
Seats	PTFE
Handle	Steel
Cap	Brass C46400



Part #	Connection 1	Connection 2	Dimensions (IN)	
			A	B
EFFPND-13-LF	1" PEX	3/4" FPT	2.677	2.539
EFFPND-32-LF	3/4" PEX	3/4" FPT	2.677	2.539
EFFPND-33-LF	1" PEX	1" FPT	3.208	2.952