

## LEAD FREE FULL PORT DRAIN VALVE

Series: EFFxCH-LF Rev 11/29/2018

Job Name	
Engineer	
Contractor	
PO Number	
Distributor	

### Features

- 2 Piece forged brass construction
- Dual PTFE Seats & EPDM O-Rings
- Blow-out proof Triple Seal Stem
- Rust resistant handle
- Stainless Steel Ball
- Dezincification and Stress Corrosion Resistant
- 5 Year Warranty

### Performance Rating

- Rated 600 W.O.G.
- Hose Cap rated to 150 PSI

### Approvals

- NSF/ANSI 61-2017 & 372-2016 Certified
- CSA approved AMSE A112.4.14-17/CSA B125.14-17
- Conforms to MSS SP-110

### Models

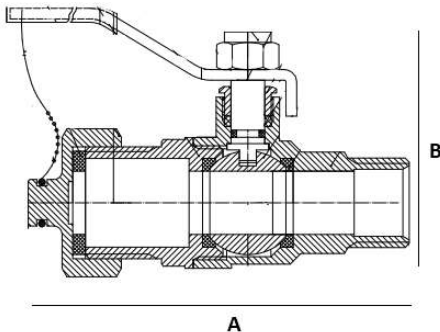
- EFFMCH – MIP X 3/4" GHT w/ Cap & Chain
- EFFNCH – FIP X 3/4" GHT w/ Cap & Chain
- EFFCCH – Copper Sweat x 3/4" GHT w/ Cap & Chain

### Standard Materials List

Part	Material
Body	Brass C46400
Sealing Washer	PTFE
Ball	Stainless Steel
O-Ring	NBR/EPDM
Packing Nut	Brass C46400
Stem	Brass C46400
Handle Nut	Steel
Ball Packing	PTFE
Handle	Steel
Cap	Brass C46400
Plug Nut	Brass C46400
3/4" Hose Washer	EPDM
Chain	Steel



Certified to  
NSF/ANSI 61 & 372



Part Number	Size (IN)	Dimensions (IN)			WT (KG)
		A	B	Port	
EFFMCH-01-LF	1/2" MIP	3.543	1.521	0.590	0.443
EFFMCH-02-LF	3/4" MIP	4.130	1.856	0.748	0.485
EFFMCH-03-LF	1" MIP	4.665	2.191	0.984	1.464
EFFNCH-01-LF	1/2" FIP	2.736	1.521	0.590	0.403
EFFNCH-02-LF	3/4" FIP	3.189	1.856	0.748	0.445
EFFNCH-03-LF	1" FIP	3.602	2.191	0.984	1.064
EFFCCH-01-LF	1/2" Copper	2.736	1.521	0.590	0.403
EFFCCH-02-LF	3/4" Copper	3.189	1.856	0.748	0.445
EFFCCH-03-LF	1" Copper	3.602	2.191	0.984	1.064