



LEAD FREE QT SEDIMENT FAUCET

Series: EFFBT-LF

Job Name	
Engineer	
Contractor	
PO Number	
Distributor	

Features

- 2 Piece forged brass construction
- Dual PTFE Seats & EPDM O-Rings
- Blow-out proof Triple Seal Stem
- Rust resistant handle
- Chrome plated Brass Ball
- Quarter Turn Operation
- 5 Year Warranty
- Resists Stress Corrosion & De-Zincification

Approvals

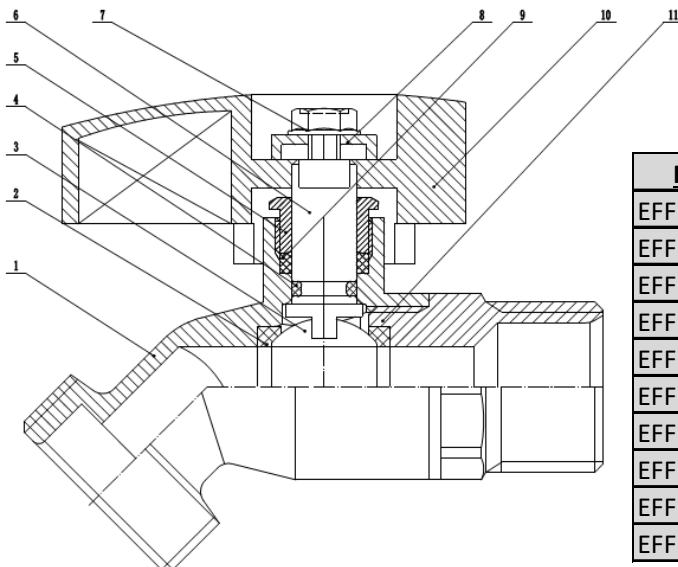
- CSA Approved B125.3-12
- NSF/ANSI 372

Models

- See below

Standard Materials List

#	Part	Material
1	Body	Brass C46400
2	Sealing Washer	PTFE
3	Ball	Chrome Plated Brass
4	O-Ring	NBR/EPDM
5	Packing Nut	Brass C46400
6	Stem	Brass C46400
7	Bolt	Steel
8	Washer	Steel
9	Ball Packing	PTFE
10	Handle	Steel
11	Cap	Brass C46400



Part #	Description
EFFBT-01-LF	1/2" MIP/COPPER SWEAT x 3/4" GHT Hose Bibb Lead Free
EFFBT-02-LF	3/4" MIP x 3/4" GHT Hose Bibb Lead Free
EFFBT-03-LF	1/2" FPT x 3/4" GHT Hose Bibb Lead Free
EFFBT-04-LF	3/4" FPT x 3/4" GHT Hose Bibb Lead Free
EFFBT-05-LF	1/2" COPPER SWEAT x 3/4" GHT Hose Bibb Lead Free
EFFBT-06-LF	3/4" COPPER SWEAT x 3/4" GHT Hose Bibb Lead Free
EFFBT-07-LF	1/2" PEX x 3/4" GHT Hose Bibb Lead Free
EFFBT-08-LF	3/4" PEX x 3/4" GHT Hose Bibb Lead Free
EFFBT-09-LF	1/2" F1960 X 3/4" GHT Hose Bibb Lead Free
EFFBT-10-LF	3/4" F1960 x 3/4" GHT Hose Bibb Lead Free