



# LEAD FREE F1960 PEX BALL VALVE

Series: EFFUU-LF Rev 11/29/2018

Job Name	
Engineer	
Contractor	
PO Number	
Distributor	

## Features

- 2 piece forged brass construction
- Dual PTFE Seats & EPDM O-Rings
- Blow-out proof Triple Seal Stem
- Rust resistant handle
- Stainless Steel Ball
- 5 Year Warranty
- Resists Stress Corrosion & De-Zincification

## Performance Rating

- 400 W.O.G.

## Approvals

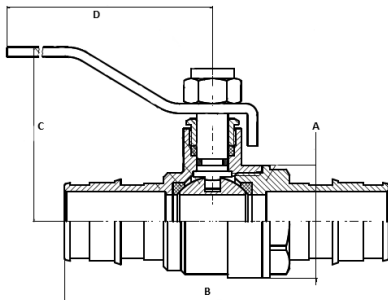
- NSF/ANSI 61-2017 & 372-2016 Certified
- CSA Approved ASME A112.4.14-17/CSA B125.14-17
- ASTM F1960

## Models

- EFFUU – ASTM F1960 PEX x ASTM F1960 PEX

## Standard Materials List

Part	Material
Body	Brass C46400
Sealing Washer	PTFE
Ball	Stainless Steel
O-Ring	NBR/EPDM
Packing Nut	Brass C46400
Stem	Brass C46400
Locking Nut	Steel
Seats	PTFE
Handle	Steel
Cap	Brass C46400



Part Number	Size (IN)	Dimensions (IN)				
		A	B	C	D	Port
EFFUU-01-LF	1/2"	0.866	2.716	1.654	2.165	0.354
EFFUU-02-LF	3/4"	1.141	3.283	1.768	3.346	0.551
EFFUU-03-LF	1"	1.457	4.075	2.362	4.291	0.748
EFFUU-04-LF	1-1/4"	2.240	4.763	2.283	4.291	0.984
EFFUU-05-LF	1-1/2"	2.240	5.775	2.557	5.630	1.259
EFFUU-06-LF	2"	2.716	7.346	2.574	5.630	1.576
EFFUU-07-LF	2-1/2"	3.366	8.661	4.251	5.630	1.940
EFFUU-08-LF	3"	4.252	10.629	5.917	8.129	2.519