

## LEAD FREE F1807 & F1960 BALL VALVES

Series: EFFPN-LF & EFFNU-LF Rev 11/29/2018

Job Name	
Engineer	
Contractor	
PO Number	
Distributor	

### Features

- 2 piece forged brass construction
- Dual PTFE Seats & EPDM O-Rings
- Blow-out proof Triple Seal Stem
- Rust resistant handle
- 5 Year Warranty
- Resists Stress Corrosion & De-Zincification

### Performance Rating

- Rated 400 W.O.G.

### Approvals

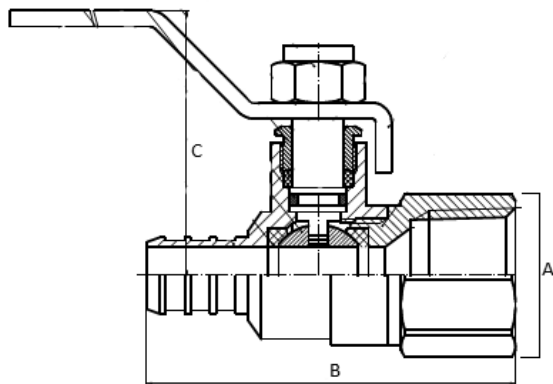
- NSF/ANSI 61-2017 & 372-2016 Certified
- CSA Approved ASME A112.4.14-17/CSA B125.14-17
- ASTM F1807 & ASTM F1960

### Models

- EFFPN – PEX (F1807) x NPT
- EFFNU – F1960 x NPT

### Standard Materials

Part	Material
Body	Brass C46400
Sealing Washer	PTFE
Ball (1/2")	Chrome Plated Brass
Ball (3/4" and up)	Stainless Steel
O-Ring	NBR/EPDM
Packing Nut	Brass C46400
Stem	Brass C46400
Locking Nut	Steel
Seats	PTFE
Handle	Steel
Cap	Brass C46400



Part Number	Size (IN)	Dimensions (IN)			
		A	B	C	Port
EFFPN-01-LF	1/2"	0.972	2.283	1.653	0.354
EFFPN-02-LF	3/4"	1.220	2.303	1.803	0.551
EFFPN-03-LF	1"	1.496	2.815	2.362	0.748
EFFNU-01-LF	1/2"	0.972	2.500	1.653	0.354
EFFNU-02-LF	3/4"	1.220	3.051	1.803	0.551
EFFNU-03-LF	1"	1.496	3.740	2.126	0.748