



LEAD FREE FULL PORT BALL VALVE WITH DRAIN

Series: EFFDC-LF Rev 11/29/2018

Job Name	
Engineer	
Contractor	
PO Number	
Distributor	

Features

- 2 piece forged brass construction
- Dual PTFE Seats & EPDM O-Rings
- Blow-out proof Triple Seal Stem
- Rust resistant handle
- Stainless Steel Ball
- 5 Year Warranty
- Resists Stress Corrosion & De-Zincification

Performance Rating

- Rated 600PSI W.O.G.

Approvals

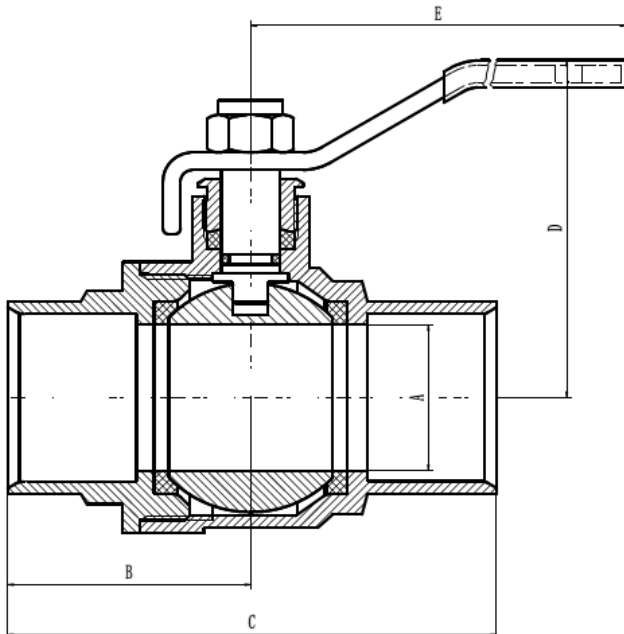
- FM Class 1140 Certified 1/4" to 2"
- NSF/ANSI 61-2017 & 372-2016 Certified
- CSA Approved ASME A112.4.14-17/CSA B125.14-17

Models

- EFFDC-LF- COPPER SWEAT x COPPER SWEAT w/ DRAIN

Standard Materials List

Part	Material
Body	Brass C46400
Sealing Washer	PTFE
Ball	Stainless Steel
O-Ring	NBR/EPDM
Packing Nut	Brass C46400
Stem	Brass C46400
Locking Nut	Steel
Seats	PTFE
Handle	Steel
Cap	Brass C46400



Part Number	Size (IN)	Dimensions (IN)					WT (lbs)
		A	B	C	D	E	
EFFDC-01-LF	1/2"	0.590	1.138	2.165	1.812	3.346	0.403
EFFDC-02-LF	3/4"	0.748	1.382	2.775	2.126	4.291	0.445
EFFDC-03-LF	1"	0.984	1.634	3.287	2.283	4.291	1.064

Drain Port

